

Redi-Gril®

**161 & 173
REDI-GRIL®
SCRAPERS**



Model 161



Model 173

Maintain your grills with Redi-Gril® products from Prince Castle.

With these heavy-duty grill scrapers, cut cleanup time and effort by 50 percent, and remove food and grease buildup that can ruin grill surfaces. Designed for use on steel surface grills, models 161 and 173 scrapers are tough enough to remove burnt residue left over from virtually all types of food products.

The easy grip handle ensures safe cleaning, and a new wing nut design makes blade removal even easier—no tools are required!

Two sizes are available: Model 161 has a 6 inch (15.24 cm) blade and model 173 has a 4½ in. (11.73 cm) blade. Both models feature splash guards to protect operators.

STANDARD FEATURES

- n Thoroughly cleans hot grills.
- n Blades are easily replaced without tools.
- n Removes food and grease residue that can ruin grills.
- n Prevents flavor transfer of burnt foods.
- n Cuts cleanup time by 50%.
- n Dishwasher safe for fast, easy cleaning.
- n Two sizes available.

OPTIONS

Part No.	Description
164-A	Grill tool sharpener
165	Grill scraper sharpener



Model 164-A



Model 165

- n Keeps scrapers and spatulas sharp.
- n Keeps grill free of burnt food and buildup.

161 & 173 REDI-GRIL® SCRAPERS

PRINCE CASTLE INC. 
WORLDWIDE

SPECIFICATIONS

DIMENSIONS

MODEL NUMBER	LENGTH IN. (CM)	HEIGHT IN. (CM)	WIDTH IN. (CM)	SHIPPING WT. LB. (KG.)
161	14 ¹ / ₆ (35.72)	5 ¹³ / ₁₆ (14.76)	6 (15.24)	2 (.9)
173	9 ¹ / ₂ (24.13)	4 (10.03)	4 ¹ / ₂ (11.73)	1 (.45)

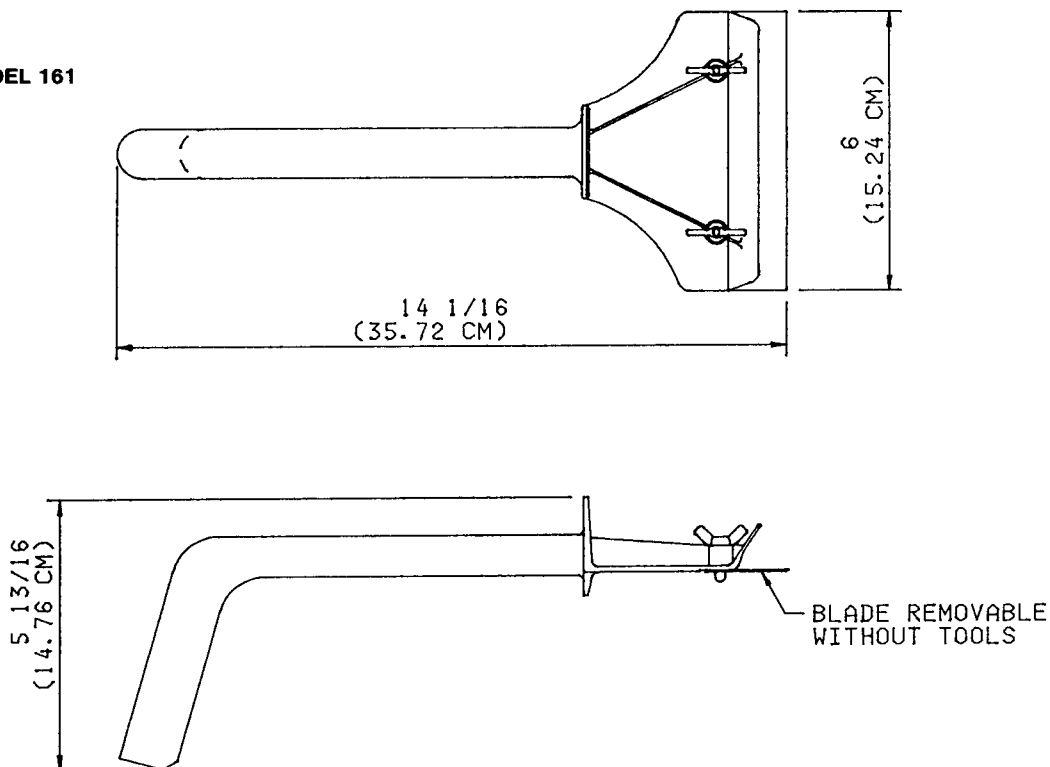
ORDERING INFORMATION

MODEL	DESCRIPTION
161	Redi-Gril® Scraper
173	Mini-Gril Scraper (ship. wt. 1 lb.) (.45 kg)
161-1HD	Heavy Duty Replacement Blade for 161
161-6EHD	Extra Heavy Duty (pkg. of 6)
161-6HD	Replacement Blades (pkg. of 6) for 161
173-1	Replacement Blades (pkg. of 6) for 173

ACCESSORIES

MODEL	DeSCRIPTION
164-A	Manual Grill Tool Sharpener
165	Grill Scraper Blade Sharpener

MODEL 161



*Designs and specifications are subject to change without notice.



REDI-GRIL® SCRAPERS

161 & 173